



# Product Specification

**Model: GT-10391BG-B**

Description: **0.39 " 1-Digital LED Display**

**Super bright Green**

Good Take International Ltd.

深圳市可得工贸有限公司

Checked

Hr

Authorized

## PIN CONNECTION

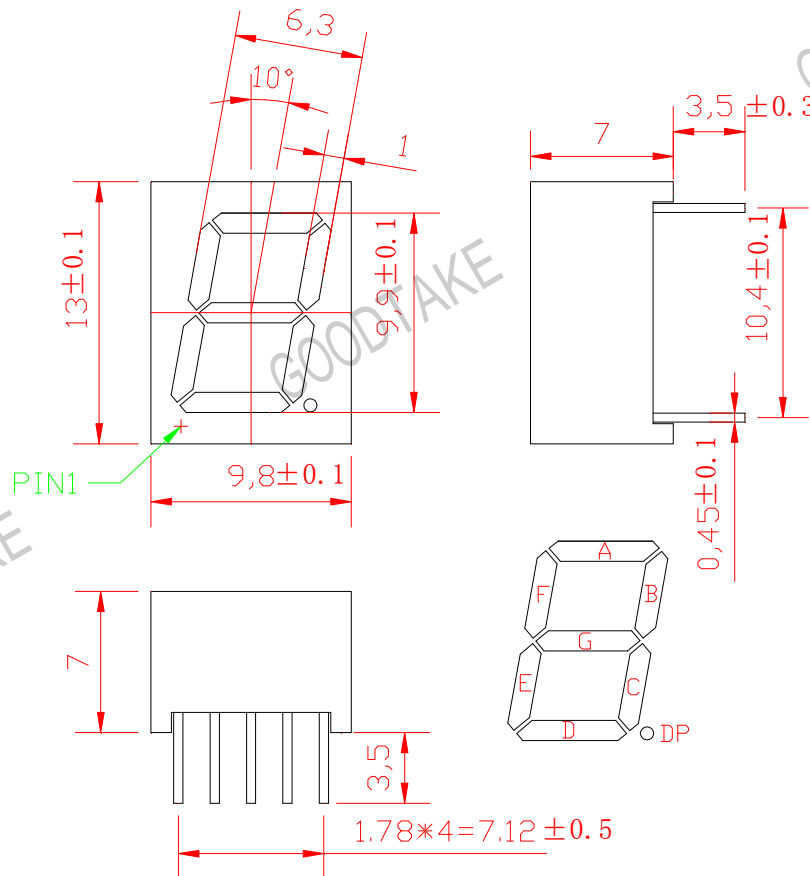
<b>NO</b>	<b>CONNECTION</b>
1	Control Pin – Cathode E
2	Control Pin – Cathode D
3	Common - Anode DIG,DP
4	Control Pin – Cathode C
5	Control Pin – Cathode DP
6	Control Pin – Cathode B
7	Control Pin – Cathode A
8	Common - Anode DIG ,DP
9	Control Pin – Cathode F
10	Control Pin – Cathode G

**GT-10391BG-B**

**1. Features**

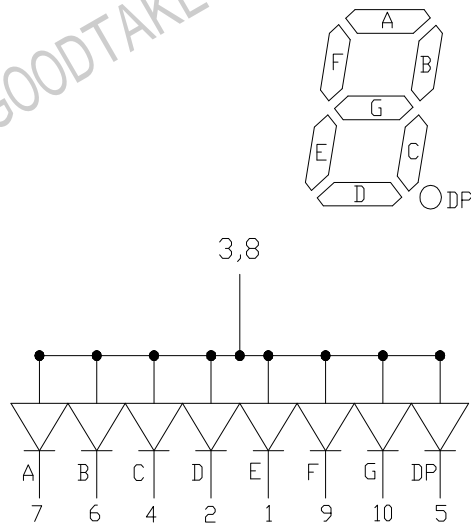
- High brightness & High reliability
- Low power consumption
- Display Encapsulation mode: Epoxy-filled, black surface & White diffused segments
- LED color : Super bright Green
- High stability
- I.C. Consistency

**2. Outline dimensions:**



NOTE: All dimensio

**3. Internal Schematic drawings**



---



---

**GT-10391BG-B**
**4. Absolute Max Ratings** Temp=25°C

Parameter	Red	Green	Yellow	Unit
Power/ Each segment		50		mw
Peak current / Each segment *(1/10S、10KHZ)		80		mA
Forward current / Each segment **		25		mA
Reverse voltage/ Each segment		5		V
Operating Temperature	-30~80			°C
Storage Temperature	-35~85			°C
Soldering Temperature	260°C			
Copper pad >1.6mm, max time < 5 seconds				

NOTE: \*\* Suggestions forward current : 15mA

**5. Photoelectric parameter** Temp =25°C

Item	Symbol	Condition	Rated value			Unit
			min	typ	max	
Light intensity	IV	Red	IF=20mA			mcd
		Green		9	15	
		Yellow				
Peak wavelength	$\lambda_P$	Red	IF=20mA			nm
		Green		568	573	
		Yellow				
Forward voltage/ per Each segment	VF	Red	IF=20mA			V
		Green		1.9	2.4	
		Yellow				
Reverse current per Each segment	IR	Red	VR=5V			$\mu$ A
		Green			50	
		Yellow				

**6. Special note:**

- When in use, never exceed the maximum parameter listed in the specification.
- LEDs are ESD sensitive device, please follow the anti-static rules.
- Considering the design, safety rule should apply to the factors of heat, to avoid too high temperature
- Do not use organic solvent for cleaning, to avoid damage to the package of the product.