

# VISIBLE LIGHT EMITTING DIODE

## DATA SHEET

MODEL NO: GT3-5RG03W0612G

REV. : 2.0

---

DATE : 11-MAY.-2009

---

■ DESCRIPTIONS:

- 3mm Round lamp
- Lens color: White Diffused
- Emitting Color: Red and Green
- No Stopper
- Dice Material: Red AlGaInP  
Green GaP



■ APPLICATIONS:

- TV set
- Monitor
- Telephone
- Computer
- circuit board

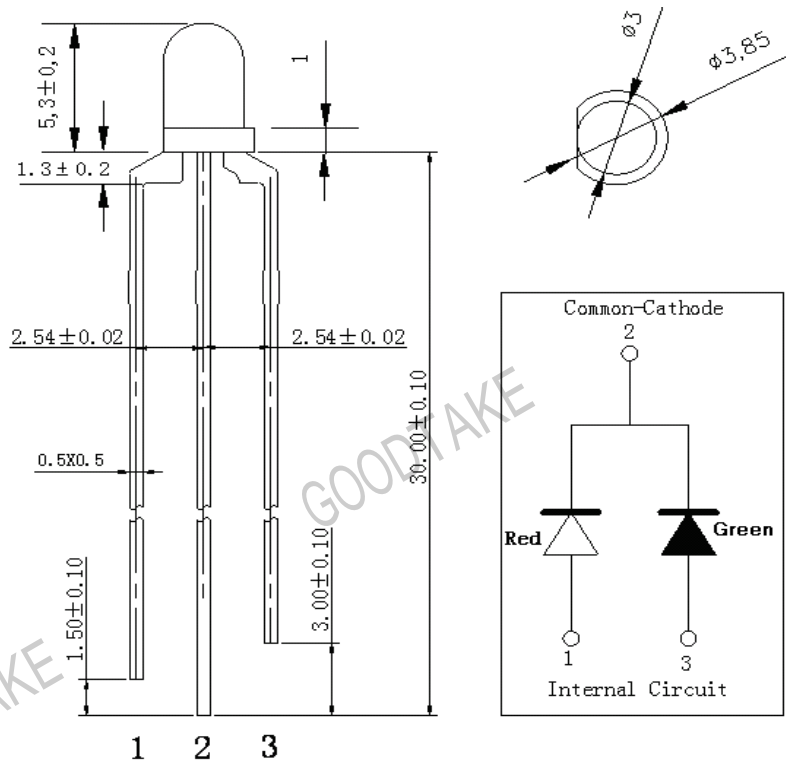
■ ABSOLUTE MAXIMUM RATINGS (Tamb=25,unless otherwise specified)

Parameter	Test condition	Symbol	Ratings	Unit
Forward Current		IF	20	mA
Power Dissipation		PD	80	mW
Peak Forward Current	tp/T=0.1, tp=100μs	IFP	100	mA
Reverse voltage		VR	5	V
Operating Temperature		Topr	-40~+85	°C
Storage Temperature		Tstg	-40~+100	°C
Soldering Temperature		Tsol	260°C for 5 sec Max (2mm from Body)	

## Basic Characteristics (Tamb=25, unless otherwise specified)

Parameter	Symbol		Min.	Type	Max.	Unit	Test Condition
Forward Voltage	VF	Red		2.0	2.8	V	IF=20mA
		Green		2.2	2.6		
Luminous Intensity	Iv	Red		450	460	mcd	IF=20mA
		Green		75	100		
Reverse Current	IR				10	μA	VR=5V
Peak Wavelength	λp	Red		640	645	nm	IF=20mA
		Green		565	570		
Dominant Wavelength	λp		630			nm	IF=20mA
			565				
View Angle	2θ1/2	Red		50		deg	IF=20mA
		Green	φ	50			

### ● Dimensions:



**NOTE:** 1. All dimensions are in millimeter, tolerance is  $\pm 0.05$  unless otherwise noted.  
 2. Epoxy meniscus extends  $\leq 1$  mm down to the lead is allowed.

■ **Typical electro-optical characteristics curves**

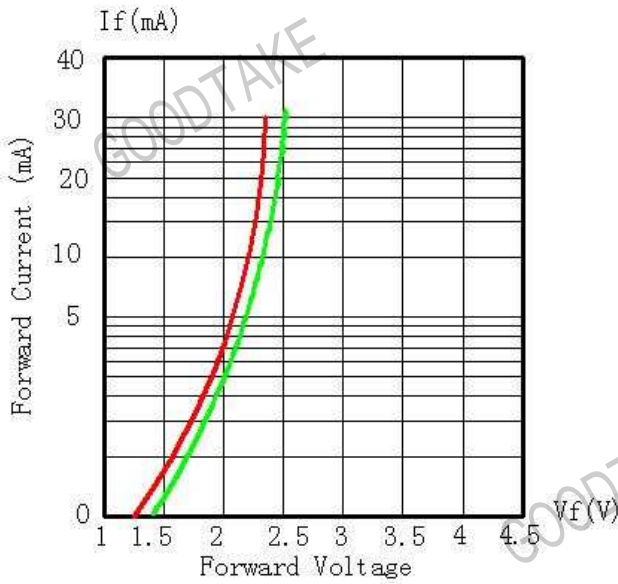


Fig.1 forward Current vs. Forward Voltage

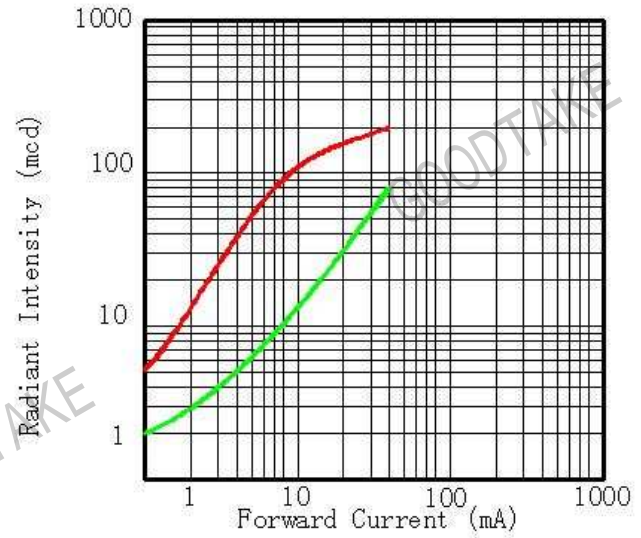


Fig.2 Forward Current Vs Radiant Intensity

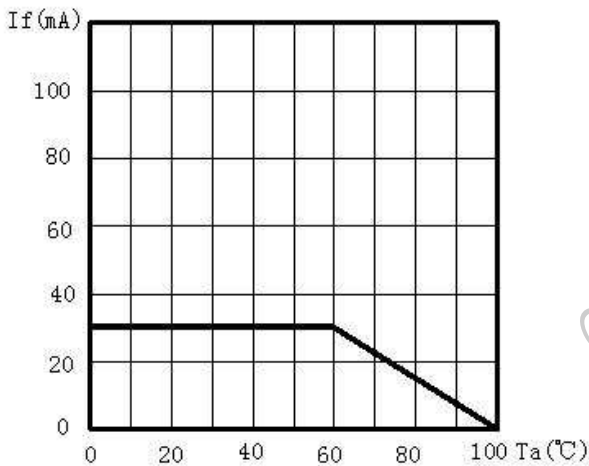


Fig.3 Maximum Forward Current Vs Ambient Temperature

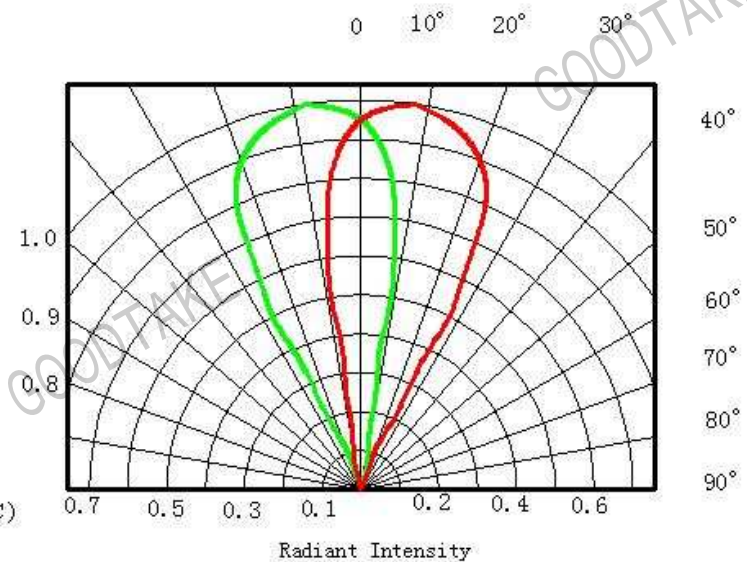


Fig.4 Angle Vs Radiant Intensity